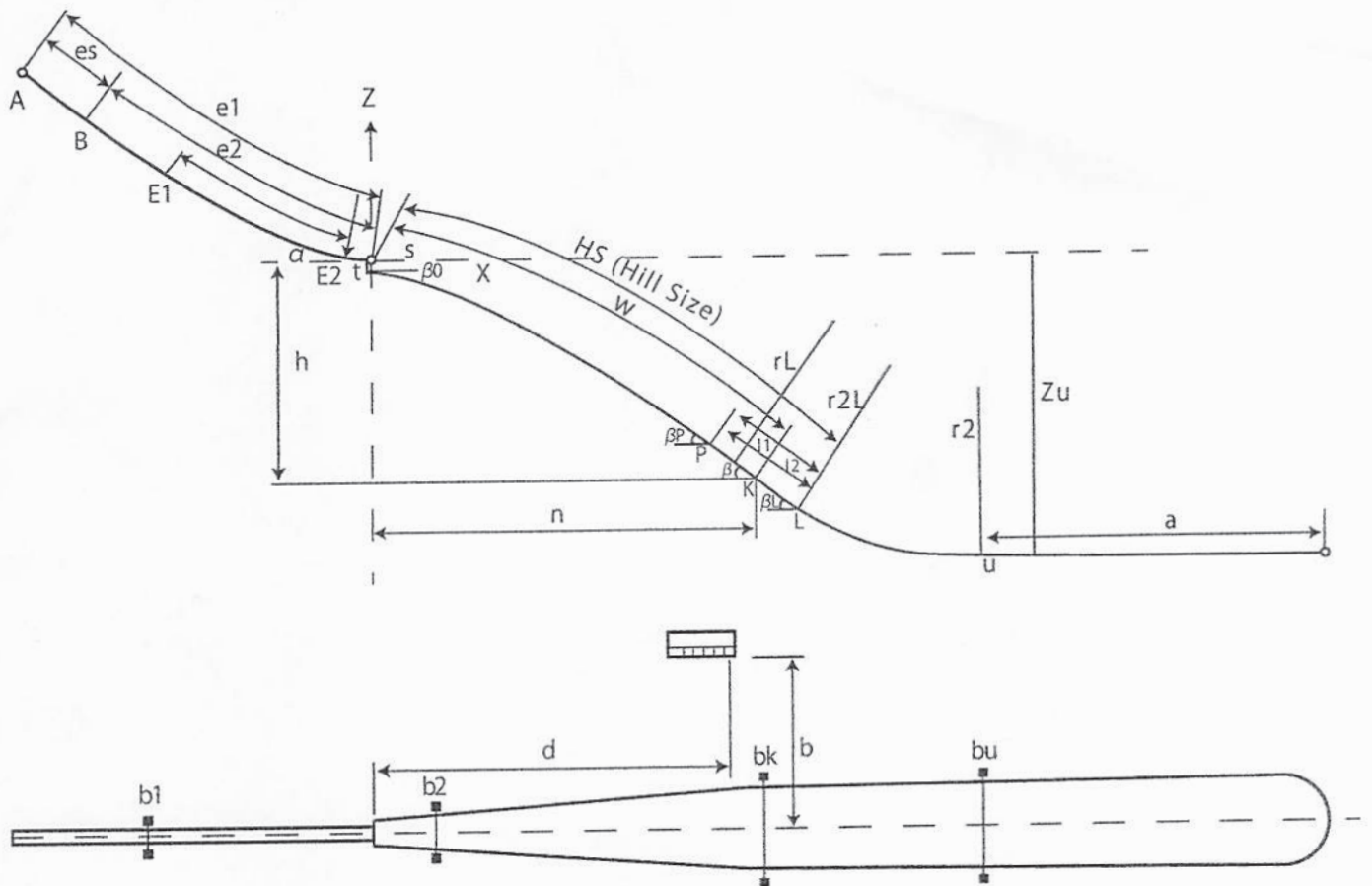


野沢温泉シャンツェ ミディアムヒル (HS=61)

プロフィール



In-run

$V_0 = 20.500 \text{ m/s}$

$e_1 = 59.902 \text{ m}$

$e_2 = 45.902 \text{ m}$

$es = 14.000 \text{ m}$

$t = 5.125 \text{ m}$

$\gamma = 35.0^\circ$

$\alpha = 9.0^\circ$

$r_1 = 59.000 \text{ m}$

$h = 24.902 \text{ m}$

$n = 24.902 \text{ m}$

$s = 48.732 \text{ m}$

Out-run

$l_1 = 3.840 \text{ m}$

$l_2 = 5.838 \text{ m}$

$a = 20.500 \text{ m}$

$\beta_P = 35.8^\circ$

$\beta = 33.8^\circ$

$\beta_L = 30.759^\circ$

$r_L = 110.00 \text{ m}$

$r_{2L} = 70.000 \text{ m}$

$r_2 = 70.000 \text{ m}$

$Z_u = 37.866 \text{ m}$

$b_1 = 2.000 \text{ m}$

$b_2 = 3.300 \text{ m}$

$b_k = 11.000 \text{ m}$

$b_u = 12.100 \text{ m}$

$d = 28.170 \text{ m}$

$q = 15.000 \text{ m}$